

## General Purpose Thermostats

### Features



- Setting indicator
- Easy adjustment of setpoint
- Robust housing

### Specification

#### Control range:

ST-CS01	-10 to +12°C
ST-CS03	+30 to +90°C
ST-CS04	+50 to +140°C
ST-CS05	+50 to +140°C
ST-CS06	-30 to +30°C
ST-CS07	+20 to +90°C
ST-CS08	+50 to +120°C

#### Differential:

ST-CS01, 6 & 7	1°C
ST-CS03 / 05	3°C
ST-CS06	2 to 20°C

#### Switch rating:

ST-CS01, 06 to 08	24 to 250Vac @ 15(8)A
Others	250Vac @ 10(1.5)A

Sensing element      Liquid filled coiled copper bulb for contact with PVC protection

#### Housing material:

ST-CS01:	Cover	Polycarbonate
	Base	Polyamide
Others:	Cover	ABS
	Base	Byblend

#### Housing dimensions:

ST-CS01	130 x 110 x 70mm
Others	108 x 70 x 72mm

#### Capillary:

ST-CS03 to 05	6.8mm dia x 124mm x 1.5m
ST-CS06 & 07	9.5mm dia x 124mm
ST-CS08	8mm dia x 124mm

#### Protection:

ST-CS01 to 05	IP54
ST-CS06 to 08	IP65

#### Ambient range:

Housing temp.	0 to +55°C (-10 to +65°C)
RH	0 to 95% (non-condensing)
Storage	-20 to +70°C

Conformity      CE Marked

Country of origin      Italy

### Product Codes

#### ST-CS01

1.8m Capillary thermostat, -10 to +12°C  
manual reset

#### ST-CS03

1.5m Capillary thermostat, +30 to +90°C  
(max. bulb temp. 120°C) auto reset

#### ST-CS04

1.5m Capillary thermostat, +50 to +140°C  
(max. bulb temp. 150°C) auto reset

#### ST-CS05

1.5m Capillary thermostat, +50 to +140°C  
(max. bulb temp. 150°C) manual reset

#### ST-CS06

1.5m Capillary thermostat, -30 to +30°C  
(max. bulb temp. 60°C) auto reset

#### ST-CS07

1.5m Capillary thermostat, +20 to +90°C  
(max. bulb temp. 100°C) auto reset

#### ST-CS08

1.5m Capillary thermostat, +50 to +120°C  
(max. bulb temp. 150°C) auto reset

### Technical Overview

The ST-CS range of general purpose thermostats can be used to control the temperature of liquids and gases in a variety of applications. Liquid filled sensing elements ensure rapid response and accurate switching differentials.

### Installation

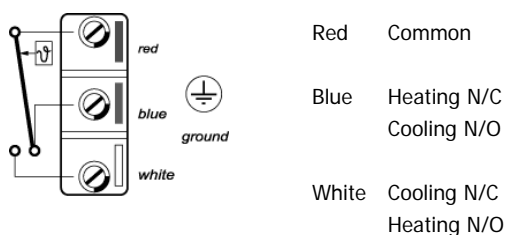
1. The ST-CS should only be installed by a competent, suitably trained technician, experienced in installation with hazardous voltages. (>50Vac & <1000Vac or >75Vdc & 1500Vdc)
2. Ensure that all power is disconnected before carrying out any work on the ST-CS.
3. Maximum cable is 2.5mm<sup>2</sup>, care must be taken not to over tighten terminals.
4. Choose a suitable location for mounting the thermostat.
5. Remove the front cover and mount the ST-CS, using the base as a template fix using suitable screws.
6. Fix the capillary in position.
7. Run cable through the cable gland and terminate as required.
8. Adjust the setpoint as required and replace the front cover.

### Installation information (ST-CS01)

Not more than 100mm of the capillary should be located outside of the control temperature. The unit trips when 300mm of the capillary falls below the set point temperature. The body of the device must be located at a point where it will not be subjected to temperatures lower than the set point.

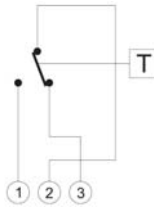
### Connections

ST-CS01 & 06 to 08:



### Connections (continued)

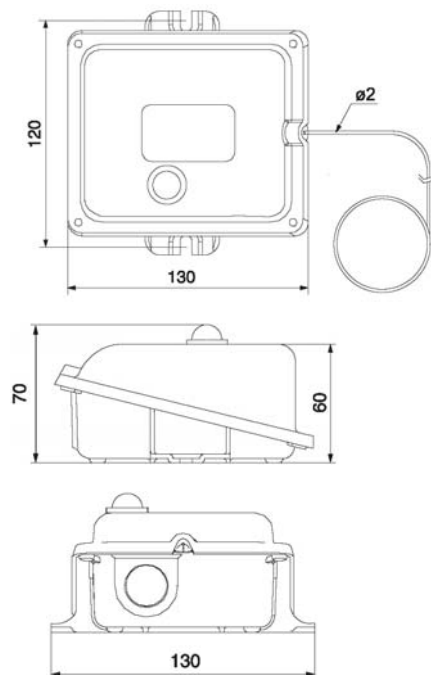
ST-CS03 to 05:



- |   |                            |
|---|----------------------------|
| 2 | Common                     |
| 3 | Open during temp. increase |
| 1 | Open during temp. decrease |

### Dimensions

ST-CS01:



Others:

