

Strap-on Thermostats

Features



(ST-SS01)

- Install in any position
- Easy adjustment of setpoint
- Setting indicator

Specification

Control range:	
ST-SS01	20 to +90°C
ST-SS03	0 to +60°C
Differential:	
ST-SS01	5°C
ST-SS03	2 to 20°C
Switch rating:	
ST-SS01	250Vac @ 16(4)A
ST-SS03	24 to 250Vac @ 15(8)A
Sensing element	Liquid filled coiled copper bulb for contact
Housing material:	
Cover (SS01)	ABS
Base (SS01)	Zinc plated steel plate
Cover (SS03)	ABS
Base (SS03)	Byblend
Housing dimensions:	
ST-SS01	38 x 55 x 105mm
ST-SS03	108 x 70 x 72mm
Ambient range:	
Housing temp.	-35 to +65°C
RH	0 to 95% (non-condensing)
Storage	-20 to +70°C
Protection:	
ST-SS01	IP40
ST-SS03	IP65
Conformity	CE Marked
Country of origin	Italy

Product Codes

ST-SS01

IP40, Strap-on thermostat 20 to +90°C auto reset

ST-SS03

IP54, Strap-on thermostat 0 to +60°C auto reset

Technical Overview

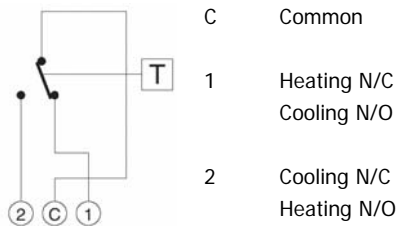
The ST-SS range of strap-on thermostats can be used to control the temperature of liquids and gasses in a variety of applications where it is not possible to insert a pocket.

Installation

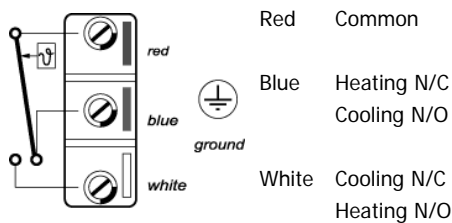
1. The ST-SSXX should only be installed by a competent, suitably trained technician, experienced in installation with hazardous voltages. (>50Vac & <1000Vac or >75Vdc & 1500Vdc)
2. Ensure that all power is disconnected before carrying out any work on the ST-SSXX.
3. Maximum cable is 2.5mm², care must be taken not to over tighten terminals.
4. Mount the ST-SSXX on the pipe or surface to be monitored, ensure that there is sufficient room to adjust controls.
5. If the unit is to be mounted outside then it must be the IP65 option closure.
6. Remove the front cover, run cable through the cable gland and terminate as required.
7. Adjust the setpoint as required and replace the front cover.

Connections

ST-SS01:

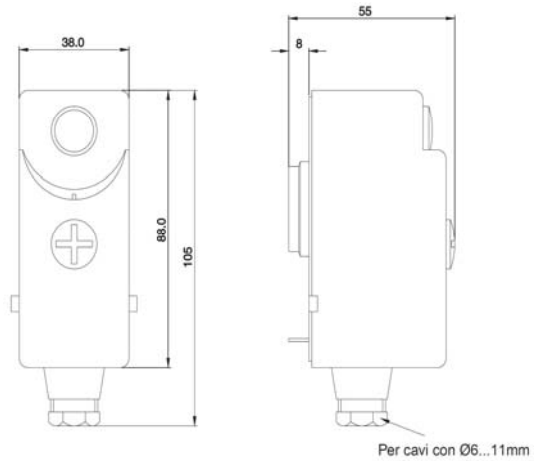


ST-SS03:



Dimensions

ST-SS01:



ST-SS03:

