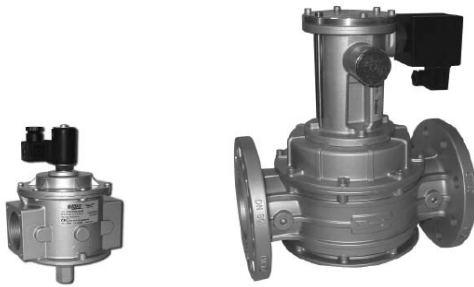


## Manual Reset Gas Valve



### Features

- EN 161, Class A, Group 2 European approval
- Various 230Vac or 24Vac solenoid voltage options
- Flanged and screwed types
- Optional CPI on flanged valves

### Specification

Power supply	230Vac / 24Vac (see product codes)
Voltage tolerance	-15% to +10 %
Media	Methane, air, town gas & LPG
Consumption	See table on page 6
Protection	IP 65
Connections:	
15 to 50mm	Screwed to EN 10226
65 to 300mm	Flanged PN16 to ISO 7005
Closure time	≤ 1 s
Max. closing pressure	500mbar
Ambient temp.	-20 °C to + 60 °C
Coil temperature	Approx. 70 °C
Valve body material	Die cast Aluminium
Approval	EN 161, Class A, Group 2

### Product Codes

#### Screwed valves:

<b>VS-GCR-415</b>	½" BSP, 24Vac coil
<b>VS-GCR-420</b>	¾" BSP, 24Vac coil
<b>VS-GCR-425</b>	1" BSP, 24Vac coil
<b>VS-GCR-432</b>	1¼" BSP, 24Vac coil
<b>VS-GCR-440</b>	1½" BSP, 24Vac coil
<b>VS-GCR-450</b>	2" BSP, 24Vac coil

<b>VS-GCR-815</b>	½" BSP, 230Vac coil
<b>VS-GCR-820</b>	¾" BSP, 230Vac coil
<b>VS-GCR-825</b>	1" BSP, 230Vac coil
<b>VS-GCR-832</b>	1¼" BSP, 230Vac coil
<b>VS-GCR-840</b>	1½" BSP, 230Vac coil
<b>VS-GCR-850</b>	2" BSP, 230Vac coil

#### Flanged valves:

<b>VS-GCR-865</b>	65mm PN16, 230Vac coil
<b>VS-GCR-880</b>	80mm PN16, 230Vac coil
<b>VS-GCR-8100</b>	100mm PN16, 230Vac coil
<b>VS-GCR-8125</b>	125mm PN16, 230Vac coil
<b>VS-GCR-8150</b>	150mm PN16, 230Vac coil
<b>VS-GCR-8200</b>	200mm PN16, 230Vac coil
<b>VS-GCR-8300</b>	300mm PN16, 230Vac coil

#### Accessories:

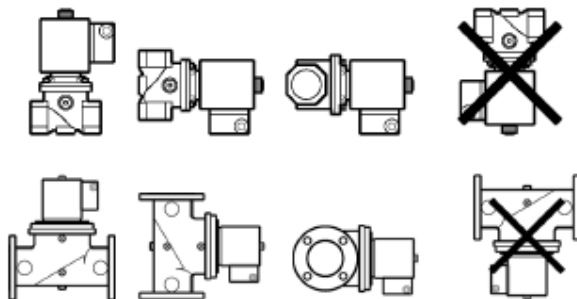
<b>VS-FCR-1</b>	CPI to suit 65-80mm valves
<b>VS-FCR-2</b>	CPI to suit 100-150mm valves
<b>VS-FCR-3</b>	CPI to suit 200mm valve
<b>VS-FCR-4</b>	CPI to suit 300mm valve

### Technical Overview

The VS-GCR series is a range of normally closed manual gas solenoid valves. Typically used for emergency shut of applications, upon power failure the valve will close until power has been restored and the manual reset mechanism has been activated.

### Installation

1. The gas supply must be shut off before installation.
2. Check that the line pressure **DOES NOT EXCEED** the maximum pressure stated on the product label.
3. They must be installed with the arrow (on the body of the device) facing towards the user appliance. They will function equally effectively if installed vertical. They must not be installed upside down (with the coil underneath).
4. During installation take care not to allow debris or scraps of metal to enter the device.
5. If the device is threaded check that the pipeline thread is not too long; overlong threads may damage the body of the device when screwed into place. Do not use the coil for leverage when screwing into position; use the appropriate tool.
6. If the device is flanged check that the inlet and outlet counter flanges are perfectly parallel to avoid unnecessary mechanical stresses on the body of the device. Also calculate the space needed to fit the seal. If the gap left after the seal is fitted is too wide, do not try to close it by over-tightening the device's bolts.
7. Always check that the system is gas-tight after installation.



### Connections

1. Before making electrical connections, check that the mains voltage is the same as the power supply voltage stated on the product label.
2. Disconnect the power supply before wiring.
3. Wire the connector with H05RN-F 3X1 mm<sup>2</sup> cable outside Ø from 8.3 a 9.5 mm, taking care to ensure that the device has IP65 protection.
4. Connect the power supply to terminals 1 and 2 and the ground wire to terminal.

The coil is also suitable for permanent power supply. In case of continuous duty, it is absolutely normal for the coil to heat up. The coil should not be touched with bare hands after it has been continuously powered for more than 20 minutes. Before maintenance work, wait for the coil to cool or use suitable protective equipment.

**During normal operation of the gas valve the surface temperature of the coil can reach 70 °C.**

### Manual Rest

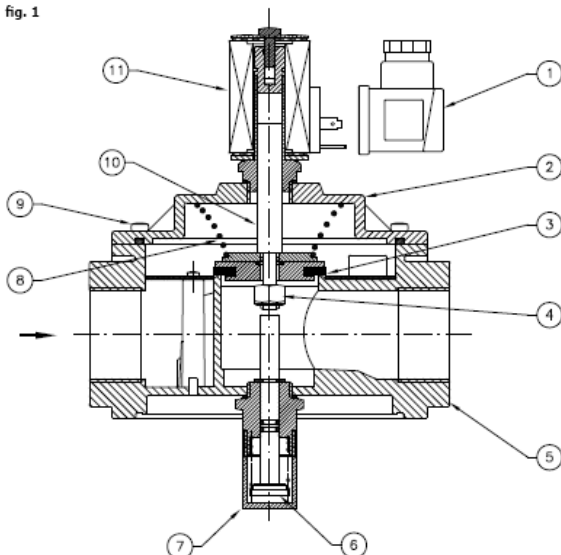
15 to 50mm valves (fig. 1):-

1. Remove protective cap on the bottom of the valve (7).
2. Push the reset handgrip (6).
3. Apply power.
4. Wait for a few seconds and release, replace protective cap.

65 to 300mm valves:-

1. Unscrew the reset pin (14) from its fixing screw (15).
2. Put the unthreaded side of the pin (14) in the special handgrip (1) hole.
3. Turn slightly clockwise the reset handgrip (1) and wait for a moment balance between the inlet and outlet pressures of the valve. Then turn till the end clockwise the reset handgrip (1) up to the hooking.
4. When the operation is finish screw the pin again (14) in its original position.
5. Instead of reset pin (14) you can use a 32 mm commercial spanner.

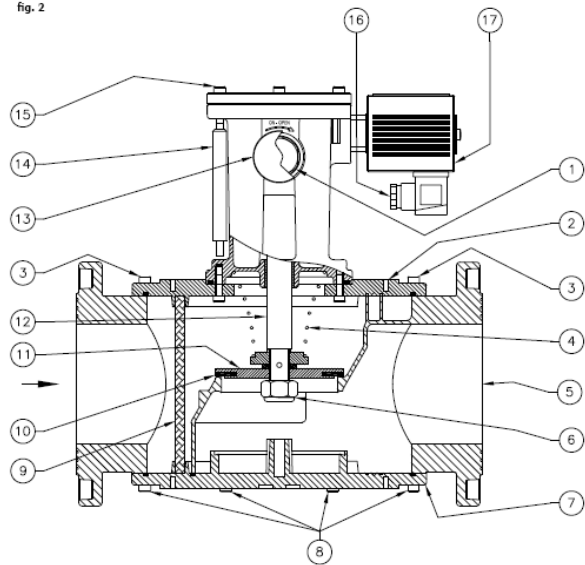
fig. 1



### Manual Rest (continued)

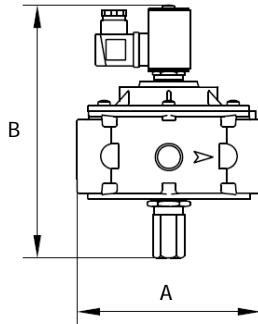
1. Using a 32 mm commercial spanner turn slightly clockwise the reset handgrip (3) and wait for a moment balance between the inlet and outlet pressure of the valve. Then turn to the end clockwise the reset handgrip (3) up to the hooking
2. Re-screw in the original position the protective small cap and possibly seal it in that position.

fig. 2

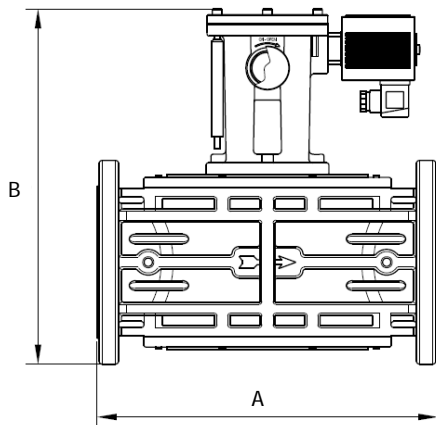


Dimensions

Screwed valves:-

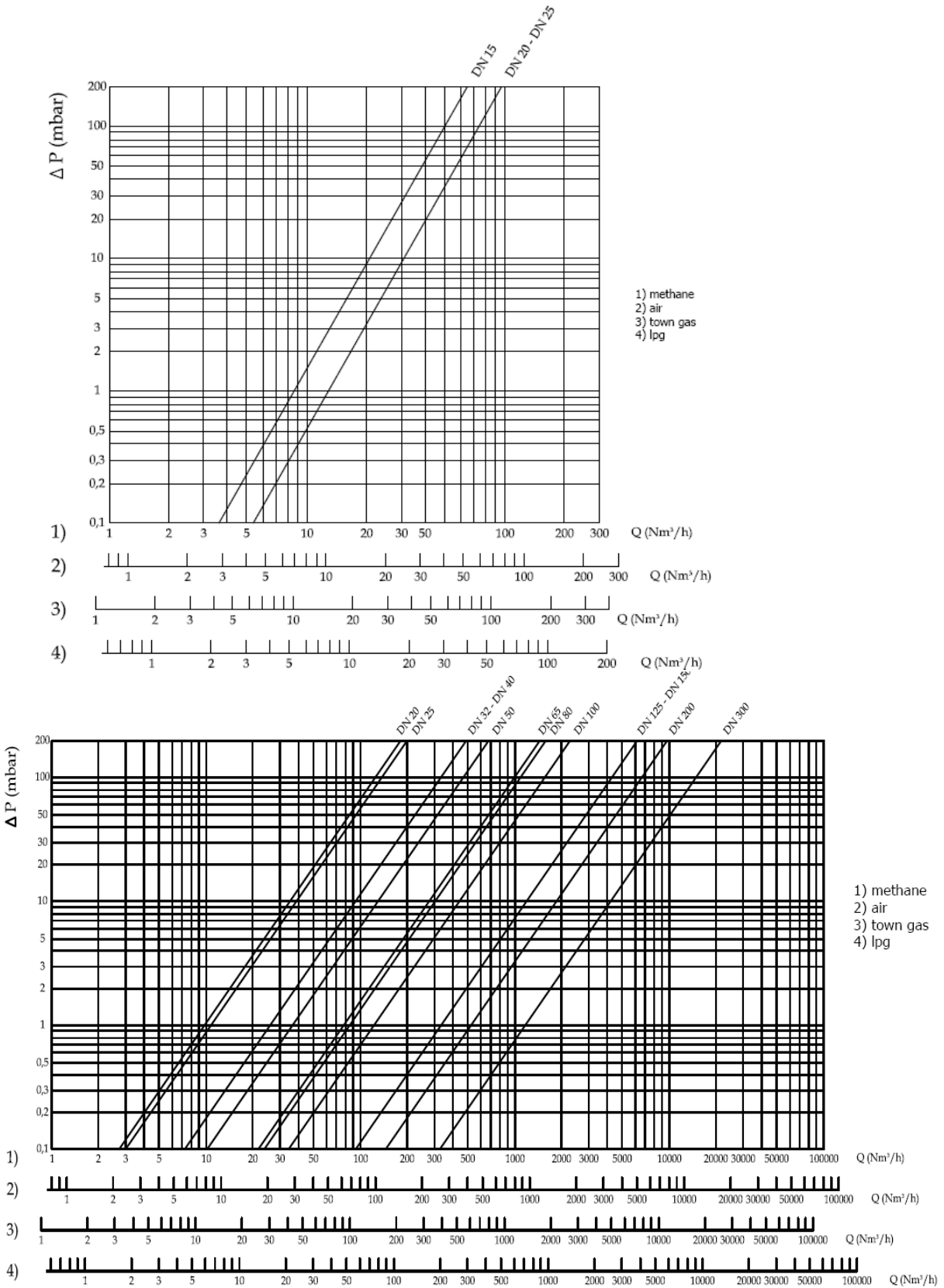


Flanged valves:-



Connection	A (mm)	B (mm)	Weight (kg)
DN 15	70	163	0.6
DN 20	70	163	0.6
DN 25	70	163	1.0
DN 32	160	215	2.0
DN 40	160	215	2.0
DN 50	160	246	2.2
DN 65	290	355	11.1
DN80	310	363	11.4
DN 100	350	363	15.8
DN 125	480	460	30.7
DN 150	480	460	33.2
DN 200	600	540	61.5
DN 300	737	730	103.0

Pressure Drop



## Specification

Product Code	Connection DN	Supply Voltage	Power VA	P. max <sup>(1)</sup> mbar	Flow m <sup>3</sup> /h <sup>(2)</sup>	
					0.5mbar	1 mbar
VS-GCR-815	Screwed ½"	230Vac	9	500	5	7
VS-GCR-415	Screwed ½"	24Vac	8	500	5	7
VS-GCR-820	Screwed ¾"	230Vac	9	500	6.5	8.7
VS-GCR-420	Screwed ¾"	24Vac	8	500	6.5	8.7
VS-GCR-825	Screwed 1"	230Vac	9	500	8.7	11
VS-GCR-425	Screwed 1"	24Vac	8	500	8.7	11
VS-GCR-832	Screwed 1 ¼"	230Vac	9	500	16	23
VS-GCR-432	Screwed 1 ¼"	24Vac	8	500	16	23
VS-GCR-840	Screwed 1 ½"	230Vac	9	500	20	27
VS-GCR-440	Screwed 1 ½"	24Vac	8	500	20	27
VS-GCR-850	Screwed 2"	230Vac	9	500	27	38
VS-GCR-450	Screwed 2"	24Vac	8	500	27	38
VS-GCR-865	Flanged 65	230Vac	18	500	54	80
VS-GCR-880	Flanged 80	230Vac	18	500	54	80
VS-GCR-8100	Flanged 100	230Vac	18	500	93	140
VS-GCR-8124	Flanged 125	230Vac	18	500	180	260
VS-GCR-8150	Flanged 150	230Vac	18	500	180	260
VS-GCR-8200	Flanged 200	230Vac	18	500	350	510
VS-GCR-8300	Flanged 300	230Vac	18	500	800	1200

- (1) Maximum working pressure  
 (2) Natural gas flow with pressure drop of 0.5 mbar or 1 mbar