



Features & Benefits

- Ratings from 100 to 800A
- 5A secondary current
- Built in sealable terminal covers

Technical Overview

The PM-CT-M range of moulded case type current transformers are for use with Sontay's PM-EM210 & PM-EM24 kWh meters and other suitable equipment.

They are also supplied with a Din rail clip.

Product Codes

- PM-CT-M100**
100A Moulded case current transformer
- PM-CT-M150**
150A Moulded case current transformer
- PM-CT-M200**
200A Moulded case current transformer
- PM-CT-M250**
250A Moulded case current transformer
- PM-CT-M300**
300A Moulded case current transformer
- PM-CT-M400**
400A Moulded case current transformer
- PM-CT-M500**
500A Moulded case current transformer
- PM-CT-M600**
600A Moulded case current transformer
- PM-CT-M800**
800A Moulded case current transformer

Specification

Overload	1.2 x rated current (continuous)
Rated system voltage	0.72/3kV
Frequency	50/60Hz
Connections	Screw terminals
Ambient:	
Humidity	0 to 95% RH (non-condensing)
Temperature	-30 to +85°C
Conformity:	
BS7626	
IEC 185	
BSEN 60044-1	
IEC 60044-1	
Country of origin	UK

Class Rating

	Primary Current (A)	Rating (VA) Class 3
PM-CT-M100	100	2.5
PM-CT-M150	150	2.5
PM-CT-M200	200	5
PM-CT-M250	250	5
PM-CT-M300	300	5
PM-CT-M400	400	5
PM-CT-M500	500	10
PM-CT-M600	600	10
PM-CT-M800	800	10

WEEE Directive:



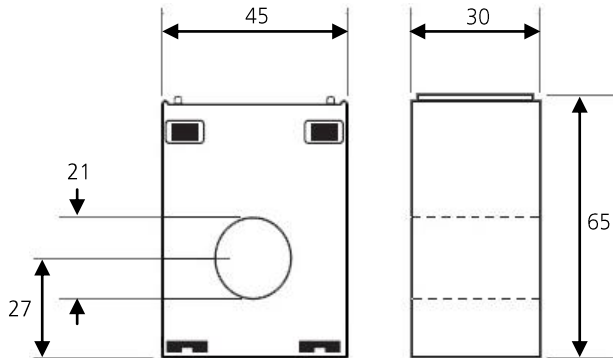
At the end of the products useful life, please dispose as per the local regulations. Do not dispose of with normal household waste. Do not burn.



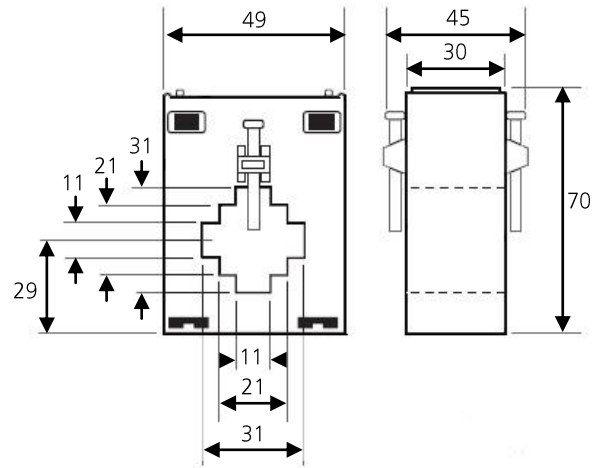
The products referred to in this data sheet meet the requirements of EU 2014/30/EU and 2014/35/EU

Dimensions

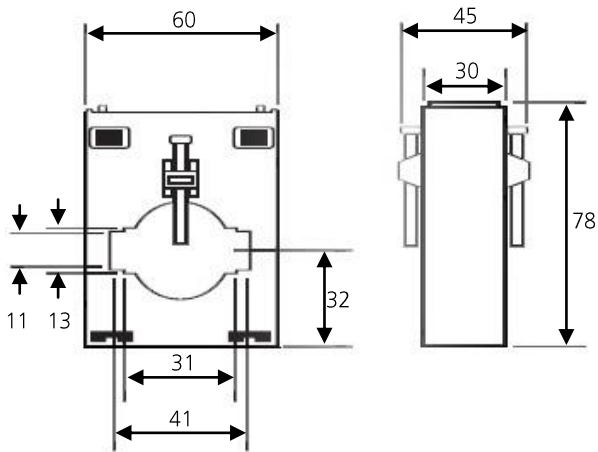
PM-CT-M100, PM-CT-M150 & PM-CT-M200:



PM-CT-M250, PM-CT-M-300 & PM-CT-M400:



PM-CT-M500, PM-CT-M600 & PM-CT-M800:



Whilst every effort has been made to ensure the accuracy of this specification, Sontay cannot accept responsibility for damage, injury, loss or expense from errors or omissions. In the interest of technical improvement, this specification may be altered without notice.

Tel: +44 (0)1732 861200 - E-mail: sales@sontay.com - Web: www.sontay.com

© 2017 Sontay Limited. All rights reserved