



Features & Benefits

- Class 1 accuracy
- 5A secondary current
- Simple installation

Technical Overview

The PM-CT-xSC range of split core current transducers can be fitted to conductors without disruption to the installation.

They are ideal for retrofits, upgrades and temporary applications. And are suitable for use with the PM-EM210 & PM-EM24 kWh meters.

Product Codes

- PM-CT-100SC**
100A, 1VA Split core current transformer
- PM-CT-150SC**
150A, 1.5VA Split core current transformer
- PM-CT-200SC**
200A, 1VA Split core current transformer
- PM-CT-250SC**
250A, 1VA Split core current transformer
- PM-CT-300SC**
300A, 1VA Split core current transformer
- PM-CT-400SC**
400A, 1VA Split core current transformer
- PM-CT-500SC**
500A, 1VA Split core current transformer
- PM-CT-600SC**
600A, 1VA Split core current transformer
- PM-CT-800SC**
800A, 1VA Split core current transformer


Specification

Overload	1.2 x rated current (continuous)
Rated system voltage	0.72 to 3kV
Insulation level	50/60Hz
Connections	1m tails
Enclosure	Flame retardant UL94VO
Ambient:	
Humidity	0 to 95% (non-condensing)
Temperature	-30 to +85°C
Conformity	IEC185, BS7626, BSEN 60044-1
Country of origin	UK

Class Rating

	Primary Current (A)	Rating (VA) Class 1
PM-CT-100SC	100	1
PM-CT-150SC	150	1.5
PM-CT-200SC	200	2.5
PM-CT-250SC	250	2.5
PM-CT-300SC	300	2.5
PM-CT-400SC	400	5
PM-CT-500SC	500	5
PM-CT-600SC	600	5
PM-CT-800SC	800	5

WEEE Directive:

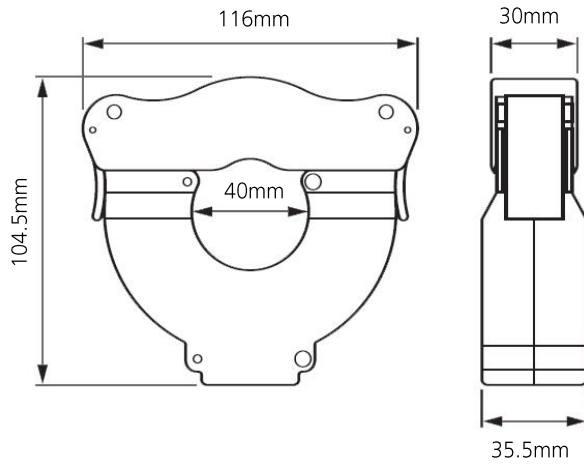


At the end of the products useful life, please dispose as per the local regulations.
Do not dispose of with normal household waste.
Do not burn.



The products referred to in this data sheet meet the requirements of EU 2014/30/EU and 2014/35/EU

Dimensions



Whilst every effort has been made to ensure the accuracy of this specification, Sontay cannot accept responsibility for damage, injury, loss or expense from errors or omissions. In the interest of technical improvement, this specification may be altered without notice.

Tel: +44 (0)1732 861200 - E-mail: sales@sontay.com - Web: www.sontay.com

© 2017 Sontay Limited. All rights reserved