

Energy Management Energy Analyzer Type EM24 DIN

CARLO GAVAZZI



- Application adaptable display and programming procedure (Easyprog function)
- Easy connections management
- Certified according to MID Directive (option PF only): see "how to order" below
- Other version available (not certified, option X and P): see "how to order" on the next page

- Class 1 (kWh) according to EN62053-21
- Class B (kWh) according to EN50470-3
- Class 2 (kvarh) according to EN62053-23
- Accuracy ± 0.5 RDG (current/voltage)
- Energy analyzer
- Instantaneous variables readout: 4 DGT
- Energies/gas/water readout: 7+1 DGT
- System variables: VLL, VLN, Admd max, VA, VAdmd, VAdmd max, W, Wdmd, Wdmd max, var, PF, Hz, Phase-sequence.
- Single phase variables: VLL, VLN, A, VA, W, var, PF
- Energy measurements: total and partial kWh and kvarh or based on 4 different tariffs; single phase measurements
- Gas, cold water, hot water, kWh remote heating measurements
- Hour counter (6+2 DGT)
- TRMS measurements of distorted sine waves (voltages/currents)
- Self power supply (AV0-AV2-AV9 inputs)
- Auxiliary power supply (AV5-AV6 inputs)
- 3 digital inputs for tariff selection, DMD synch or gas/water (hot-cold) and remote heating metering (on request)
- 2 digital outputs for pulses or for alarms or as a mix of them (on request)
- Dimensions: 4-DIN modules
- Protection degree (front): IP50
- RS485 serial output (on request) (MODBUS-RTU), iFIX SCADA compatibility
- Dupline communication capability (DP option)

Product Description

Three-phase energy analyzer with built-in configuration joystick and LCD data displaying; particularly indicated for active and reactive energy metering and for cost allocation. Housing

for DIN-rail mounting with IP50 (front) protection degree. Direct connection up to 65A and by means of external current and potential transformers.

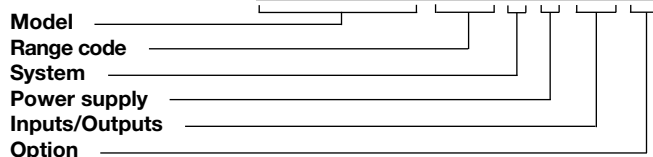
Moreover the meter can be provided with digital outputs that can be either for pulse proportional to the active and reactive energy being measured or for

alarm outputs. In alternative the RS485 communication port and 3 digital inputs or Dupline port and 3 digital inputs are available as an option.



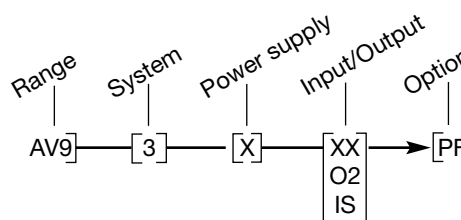
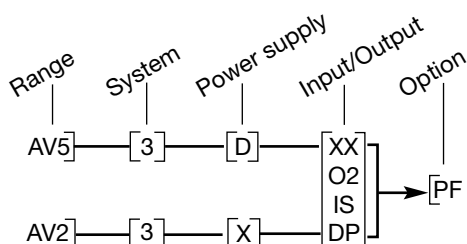
Certified according to MID Directive, Annex "B" + Annex "D" or Annex "B" + Annex "F" for legal metrology relevant to active electrical energy meters (see Annex MI-003 of MID). Can be used for fiscal (legal) metrology.

How to order EM24 DIN AV5 3 X O2 PF



Type Selection for MID version

Range codes	System	Inputs/Outputs	Power supply
AV5: 400V _{LL} AC - 5(10)A (CT connection) AV2: V _{LN} : 113V to 230V _{LN} V _{LL} : 230V to 400V _{LL} I: 10(65)A AV9: 400V _{LL} AC - 10(65)A (direct connection)	3: 3-phase, 4-wire balanced load	XX: none O2: dual open collector type (dual pulse or one pulse + one alarm or dual alarm) IS: 3 digital inputs for tariff selection or Gas/Water/remote heating metering plus RS485 port DP: Dupline port plus 3 digital inputs for Gas/water/remote heating metering	X: Self power supply (See "Power supply specifications") D: 115/230VAC (50Hz)
Options			
PF: Certified according to MID Directive, Annex "B" + Annex "D" or Annex "B" + Annex "F" for legal metrology relevant to active electrical energy meters (see Annex MI-003 of MID). Can be used for fiscal (legal) metrology.			





STANDARD

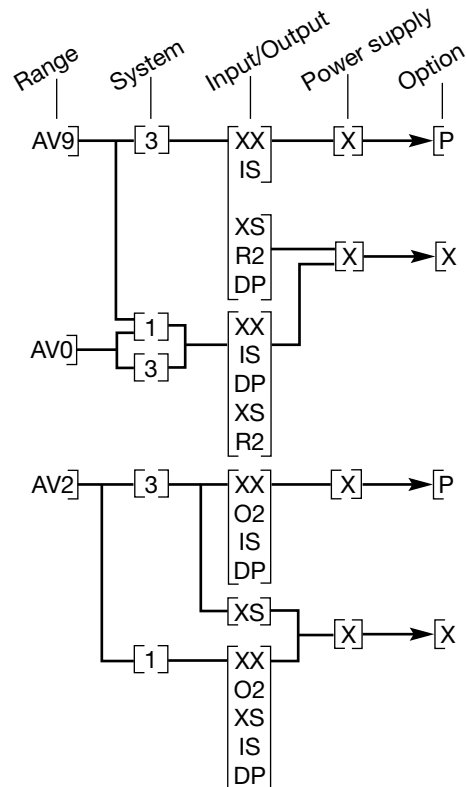
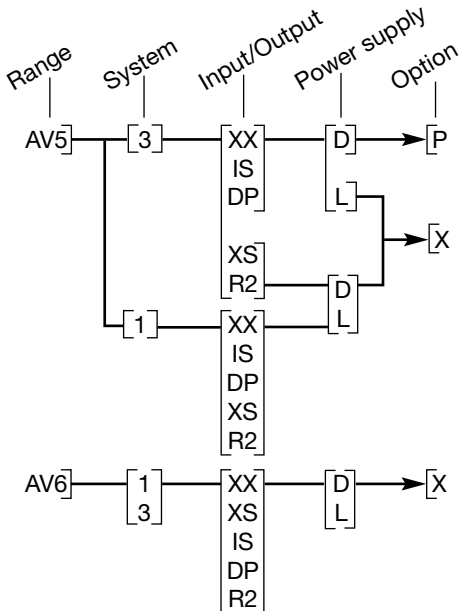
Not certified according to MID directive. Cannot be used for fiscal (legal) metering.

How to order EM24 DIN AV5 3 X O2 X



Type Selection for standard version

Range codes	System	Inputs/Outputs	Power supply
AV5: 400V _{LL} AC - 1/5 (10)A (CT connection) V _{LN} : 160 V to 480V _{LN} V _{LL} : 277 V to 830V _{LL}	1: 1-phase, 2-wire; 3-phase, 3-wire; 3-phase, 4-wire balanced load (*)	XX: none O2: dual open collector type (dual pulse or one pulse + one alarm or dual alarm)	X: Self power supply (See "Power supply specifications") L: 18 to 60VAC/DC (48 to 62Hz) (*) D: 115/230 VAC (48 to 62Hz)
AV6: 208V _{LL} AC - 1/5(10)A (VT/PT and CT connections) V _{LN} : 40V to 144V _{LN} V _{LL} : 70V to 250V _{LL}	3: balanced and unbalanced load: 3-phase, 4-wire; 3-phase, 3-wire; 2-phase, 3-wire; 1-phase, 2-wire	R2: dual relay type (functions as per "O2") (*) XS: RS485 port (*) IS: 3 digital inputs for tariff selection or Gas/water/ remote heating metering plus RS485 port	
AV0: 208V _{LL} AC -10(65)A (direct connection) (*) V _{LN} : 96V to 144V _{LN} V _{LL} : 166V to 250V _{LL}		IS: 3 digital inputs for Gas / water / remote heating metering	
AV2: 400V _{LL} AC 10(65)A (direct connection) (*) V _{LN} : 113V to 265V _{LN} V _{LL} : 196V to 460V _{LL}	(*) on request.	DP: Dupline port plus 3 digital inputs for Gas / water / remote heating metering	Options X: none P: Bearing EC. "Type examination" (annex B of MID) relevant to active electrical energy meters (see Annex MI-003).
AV9: 400V _{LL} AC - 10(65)A (direct connection) V _{LN} : 184V to 276V _{LN} V _{LL} : 318V to 480V _{LL}	NOTE: please check the availability of the needed code on the verification path tables below before order.		



Input specifications

Rated inputs	System type: 3-phase	Type	LCD, h 7mm
Current type	Galvanic insulation by means of built-in CT's (AV5 and AV6 models). By direct connection (AV0, AV2 and AV9)	Instantaneous variables read-out Energies	4 DGT Imported Total/Partial/Tariff: 7+1DGT or 8DGT; Exported Total/Partial/Tariff: 6+1DGT or 7DGT (with “-“ sign)
Current range (by CT)	AV5 and AV6: 1/5(10)A	Overload status	EEEE indication when the value being measured is exceeding the “Continuous inputs overload” (maximum measurement capacity)
Current range (direct)	AV0: 10(65)A; AV2: 10(65)A; AV9: 10(65)A	Max. and Min. indication	Max. instantaneous variables: 9999; energies: 9 999 999.9 or 99 999999. Min. instantaneous variables: 0.000; energies 0.0
Voltage	AV5: 400 VLL		
Voltage	AV0: 120VLN/208 VLL AV2: 230/400 VLL AV9: 400 VLL		
Voltage by VT/PT	AV6: 120VLN/208 VLL		
Accuracy (Display + RS485) (@25°C ±5°C, R.H. ≤60%, 48 to 62Hz)	lb: see below, Un: see below	LEDs	Red LED (Energy consumption)
AV5 model	In: 5A, Imax: 10A; Un: 160 to 480VLN (277 to 830VLL)	AV5, AV6 models	0.001 kWh/kvarh by pulse if CT ratio by VT ratio is ≤7; 0.01 kWh/kvarh by pulse if CT ratio x VT ratio is > 7.1 ≤ 70.0; 0.1 kWh/kvarh pulse if CT ratio x VT ratio is > 70.1 ≤ 700.0; 1 kWh/kvarh by pulse if CT ratio x VT ratio is > 700.1;
AV6 model	In: 5A, Imax: 10A; Un: 40 to 144VLN (70 to 250VLL)	AV0, AV2, AV9 models	0.001kWh/kvarh by pulse 16Hz, according to EN50470-3
AV0 model	lb: 10A, Imax: 65A; Un: 96 to 144VLN (166 to 250VLL)	Measurements	See “List of the variables that can be connected to:”
AV2 model	lb: 10A, Imax: 65A, Un: 113 to 265VLN (196 to 460VLL)	Method	TRMS measurements of distorted wave forms.
AV9 model	lb: 10A, Imax: 65A; Un: 184 to 276VLN (318 to 480VLL)	Coupling type	Direct for AV0, AV2 and AV9 models. By means of external CT's for AV5 and AV6
Current		Crest factor	lb 10A ≤4 (91A max. peak) ln 5A ≤3 (15A max. peak)
AV5, AV6 models	From 0.002In to 0.2In: ±(0.5% RDG +3DGT) From 0.2In to Imax: ±(0.5% RDG +1DGT).	Current Overloads	Continuous For 500ms For 10ms
AV0, AV2, AV9 models	From 0.004lb to 0.2lb: ±(0.5% RDG +3DGT) From 0.2lb to Imax: ±(0.5% RDG +1DGT).	Voltage Overloads	Continuous For 500ms
Phase-neutral voltage	In the range Un: ±(0,5% RDG +1DGT)	Input impedance	>1600KΩ Refer to “Power Consumption” Refer to “Power Consumption” >1600KΩ Refer to “Power Consumption” < 0.3VA < 4VA
Phase-phase voltage	In the range Un: ±(1% RDG +1DGT)	208VL-L (AV6) 208VL-L (AV0)	
Frequency	±0.1Hz (45 to 65Hz)	230/400VL-L (AV2)	
Active and Apparent power	±(1%RDG +2DGT)	400VL-L (AV5) 400VL-L (AV9)	
Power Factor	±[0.001+1%(1.000 - “PF RDG”)]	1/5(10)A (AV5-AV6) 10(65)A (AV0-AV2-AV9)	
Reactive power	±(2%RDG +2DGT)	Frequency	45 to 65 Hz
Active energy	Class 1 according to EN62053-21 and MID Annex MI-003 Class B according to EN50470-3	Joystick	For variable selection and programming of the instrument working parameters
Reactive energy	Class 2 according to EN62053-23		
AV5, AV6 models	In: 5A, Imax: 10A; 0.1 In: 0.5A, Start up current: 10mA		
AV0, AV2, AV9 models	lb: 10A, Imax: 65A; 0.1 lb: 1.0A Start up current: 40mA		
Energy additional errors			
Influence quantities	According to EN62053-21, EN50470-3, EN62053-23		
Temperature drift	≤200ppm/°C		
Sampling rate	1600 samples/s @ 50Hz 1900 samples/s @ 60Hz		
Display refresh time	750 ms		
Display	3 lines (1 x 8 DGT; 2 x 4 DGT)		

Output specifications

<p>Digital outputs</p> <p>Pulse type</p> <p>Number of outputs</p> <p>Type</p> <p>Pulse duration</p> <p>Alarm type</p> <p>Number of outputs</p> <p>Alarm modes</p> <p>Set-point adjustment</p> <p>Hysteresis</p> <p>On-time delay</p> <p>Output status</p> <p>Min. response time</p> <p>Note</p>	<p>Up to 2, independent. Programmable from 0.001 to 10.00kWh/kvarh by pulse.</p> <p>Outputs connectable to the energy meters (kWh/kvarh) $\geq 100\text{ms} < 120\text{msec}$ (ON), $\geq 120\text{ms}$ (OFF), according to EN62053-31</p> <p>Up to 2, independent</p> <p>Up alarm, down alarm (see the table "List of the variables that can be connected to")</p> <p>From 0 to 100% of the display scale</p> <p>From 0 to full scale</p> <p>0 to 255s</p> <p>Selectable; normally de-energized or normally energized</p> <p>$\leq 700\text{ms}$, filter excluded, set-point on-time delay: "0 s"</p> <p>The 2 digital outputs can also work as a dual pulse output, dual alarm output, one pulse output and one alarm output.</p>	<p>Note</p> <hr/> <p>RS485</p> <p>Type</p> <p>Connections</p> <p>Addresses</p> <p>Protocol</p> <p>Data (bidirectional)</p> <p>Dynamic (reading only)</p> <p>Static (reading and writing)</p> <p>Data format</p> <p>Baud-rate</p> <p>Driver input impedance</p> <p>Insulation</p> <p>Note:</p>	<p>The meters equipped with the relay outputs ("AV0" and "AV9" models with "R2" option) work even if VL3 is missing (VL1, VL2 and neutral have to be available)(see table "working mode notes")</p> <hr/> <p>Multidrop, bidirectional (static and dynamic variables)</p> <p>2-wire</p> <p>Max. distance 1000m</p> <p>247, selectable by means of the front joystick</p> <p>MODBUS/JBUS (RTU)</p> <p>System and phase variables: see table "List of variables..."</p> <p>All the configuration parameters.</p> <p>1 start bit, 8 data bit, no parity, 1 stop bit</p> <p>4800, 9600 bit/s</p> <p>1/5 unit load</p> <p>Maximum 160 transceivers on the same bus.</p> <p>By means of optocouplers, 4000 VRMS output to measuring input, 4000 VRMS output to power supply input.</p> <p>The meters equipped with the communication port ("AV0" and "AV9" models with "XS" and "IS" options) work even if VL3 is missing (VL1, VL2 and neutral have to be available)(see table "working mode notes")</p>
<p>Static output</p> <p>Purpose</p> <p>Signal</p> <p>Insulation</p>	<p>For pulse output or alarm output</p> <p>V_{ON} 1.2 VDC/ max. 100 mA</p> <p>V_{OFF} 30 VDC max.</p> <p>By means of optocouplers, 4000 VRMS output to measuring inputs, 4000 VRMS output to power supply input.</p>		
<p>Relay output</p> <p>Purpose</p> <p>Type</p> <p>Insulation</p>	<p>For alarm output or pulse output</p> <p>Relay, SPST type</p> <p>AC 1-5A @ 250VAC</p> <p>DC 12-5A @ 24VDC</p> <p>AC 15-1.5A @ 250VAC</p> <p>DC 13-1.5A @ 24VDC</p> <p>4000 VRMS output to measuring input</p> <p>4000 VRMS output to power supply input.</p>		

Dupline specifications

Counters		
Used Dupline function	Multiplexer for counter values	variables) M1 to N8 (4 th group of 16 variables)
Number of counters	6 per instrument 128 per network	O1 to P8 (5 th group of 16 variables)
Counter range	0... 99 999 999	All, except for the "max" variables
Used channels	B to F	
Multiplexer	B2 to B8	
Reset	B1	
Value	C1 to F8	
Counter reset	Enable/disable function for all the counters	
Available counters	kWh tot, -kWh tot, kvarh tot, -kvarh tot, kWh t1, kWh t2, kWh L1, kWh L2, kWh L3, counter dig. in. 1, counter dig. in. 2, counter dig. in. 3, hour counter.	
Analogue variables		
Used Dupline function	Multiplexer for analogue values	
Number of variables	8 per instrument 80 per network	
Dupline data format		
Full scale value	3 1/2 DGT BCD Selectable from 1.999 to 1999M	
Used channels	depending on the number of variables	
Multiplexer	A1 to A4	
Value	G1 to H8 (1 st group of 16 variables) I1 to J8 (2 nd group of 16 variables) K1 to L8 (3 th group of 16 variables)	
		Available variables
		Synchro/Tariff input
		Used Dupline functions
		Used channels
		Working mode
		Alarms
		Used Dupline function
		Used channels
		Number of alarms
		Alarm modes
		Set-point adjustment
		Hysteresis
		On-time delay
		Output status
		Available variables

Digital input specifications

Number of inputs	3	
Input frequency	20Hz max, duty cycle 50%	
Prescaler adjustment	From 0.1 to 999.9 m ³ or kWh per pulse	
Contact measuring voltage	5VDC +/- 5%	
Contact measuring current	10mA max	
Input impedance	680Ω	
Contact resistance	≤100Ω, closed contact ≥500kΩ, open contact	
Working modes (DP version excluded)	Selectable: • total and partial energy meters (kWh and kvarh) without digital inputs; • total and partial energy meters (kWh and kvarh) managed by time periods (t1-t2-t3-t4), W dmd synchronisation (the synchronisation is made every time the tariff changes) and GAS (m ³) or WATER (hot-cold m ³) or remote heating (kWh) meters; • total and partial energy meters (kWh and kvarh) managed by time periods (t1-t2), W dmd synchronisation (the synchronisation is made independently from the tariff selection) and GAS (m ³) or WATER (hot-cold m ³) or remote heating (kWh) meters; • total energy (kWh, kvarh) and GAS, WATER (hot-cold m ³) and remote heating meters (3 choices only).	
		Working modes (DP version only)
		Note
		Insulation



Software functions

Password	Numeric code of max. 4 digits; 2 protection levels of the programming data: 1st level Password "0", no protection 2nd level Password from 1 to 9999, all data are protected	Filter	Operating range Filtering coefficient Filter action	0 to 100% of the input display scale 1 to 32 Measurements, serial output (fundamental variables: V, A, W and their derived ones).
System selection System 3-P:n unbalanced load System 3-P unbalanced load System 3-P:1 (only AV5 and AV6) balanced load	3-phase (4-wire) 3-phase (3-wire) 3-phase (3-wire) one current and 3-phase to phase voltage measurements 3-phase (4-wire) one current and 1-phase (L1) to neutral voltage measurement	Displaying		Up to 3 variables per page (see « Display pages ») 8 different set of variables available (see « Display pages ») according to the application being selected
System 2-P System 1-P	2-phase (3-wire) 1-phase (2-wire)	Reset		By means of the front joystick: - dmd and dmd max; - total energies (kWh and kvarh) and gas/water; - partial energies and tariffs: kWh, kvarh
Transformer ratio VT (PT) CT	1.0 to 999.9 / 1000 to 6000 (only AV5 and AV6) 1.0 to 999.9 / 1000 to 9999 / 10.00k to 60.00k (only AV5 and AV6). The maximum power being measured cannot exceed 210 MW (calculated as maximum input voltage and current, see the "Accuracy" paragraph before). The maximum VT by CT ratio is 48600. For MID complaint applications the maximum power being measured is 25MW.	Easy connection function AV0, AV2 and AV9 models AV5-AV6-AV0-AV2-AV9 models		Automatic phase sequence detection with current and voltage synchronisation. For all the display selections, both energy and power measurements are independent from the current direction. The displayed energy is always "imported" with the only exception of "F" and "H" types (see "display pages" table). For those latter selections the energies can be either "imported" or "exported" depending on the current direction.

General specifications

Operating temperature	-25°C to +55°C (-13°F to 131°F) (R.H. from 0 to 90% non-condensing @ 40°C) according to EN62053-21, EN50470-1 and EN62053-23	Dielectric strength	4000 VRMS for 1 minute
Storage temperature	-30°C to +70°C (-22°F to 158°F) (R.H. < 90% non-condensing @ 40°C) according to EN62053-21, EN50470-1 and EN62053-23	Noise rejection CMRR	100 dB, 48 to 62 Hz
Installation category	Cat. III (IEC60664, EN60664)	EMC	According to EN62052-11
Insulation (for 1 minute)	4000 VRMS between measuring inputs and power supply 4000 VRMS between power supply and RS485/digital output	Electrostatic discharges Immunity to irradiated Electromagnetic fields Burst Immunity to conducted disturbances Surge Radio frequency suppression	15kV air discharge Test with current: 10V/m from 80 to 2000MHz Test without any current: 30V/m from 80 to 2000MHz On current and voltage measuring inputs circuit: 4kV 10V/m from 150KHz to 80MHz On current and voltage measuring inputs circuit: 4kV; on "L" auxiliary power supply input: 1kV According to CISPR 22

General specifications (cont.)

Standard compliance Safety	IEC60664, IEC61010-1 EN60664, EN61010-1 EN62052-11.	Cable cross-section area AV5-AV6 models	Screws tightening torque: 0.5 Nm
			Metrology
Pulse output Approvals	DIN43864, IEC62053-31 CE, cULus listed (AV5, AV6, options only) MID (PF option only)	Housing DIN Dimensions (WxHxD) Material	71 x 90 x 64.5 mm Nylon PA66, self-extinguishing: UL 94 V-0 DIN-rail
Connections Cable cross-section area AV0-AV2-AV9 models	Screw-type Max. 16 mm ² ; Min. 2.5 mm ² (measuring inputs); Min./Max. screws tightening torque: 1.7 Nm / 3 Nm Other inputs: 1.5 mm ²	Mounting	
		Protection degree Front Screw terminals	IP50 IP20
		Weight	Approx. 400 g (packing included)

Power supply specifications

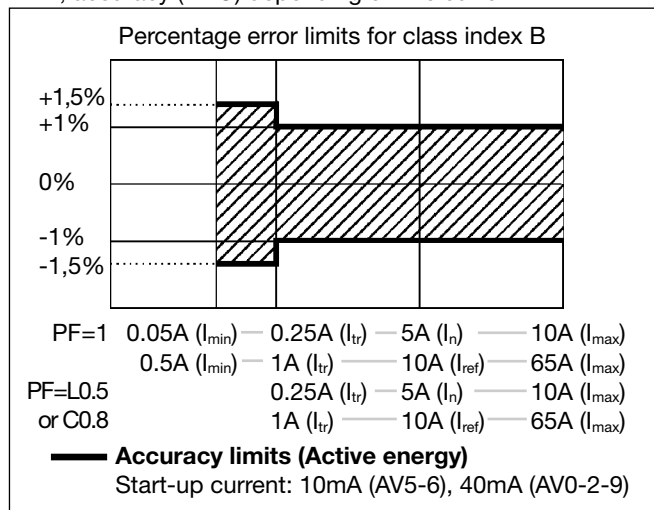
Self supplied version	AV9-AV0 models "XX" and "O2" options only: -20% +15%, 48- 62Hz. "R2", "XS" and "IS" options only: -15% +10%, 48-62Hz. AV2 model: "XX", "O2", "IS" and "DP" options: -15% +15%, 48- 62Hz. In case of 3-phase system, 4-wire connection: 113 to 265V. In case of 3- phase system, 3-wire con- nection: 196 to 460V.	phase connection has to be performed the L1 and L2 voltage inputs have to be short circuited. The instrument provided with "O2" option, working in a 3-phase system with neu- tral may work also if one or two phases are missing.	
			Auxiliary power supply
Note	The instruments provided with "IS" and "R2" options work only if all the voltage inputs are connected (3- phase and neutral) if a 1-	Power consumption AV9-AV2-AV0 models AV9-AV2-AV0 models (IS and DP option only) AV5-AV6 models	≤ 20VA/1W ≤ 12VA/2W ≤ 2VA/2W

Working mode notes (only "Self power supply" version)

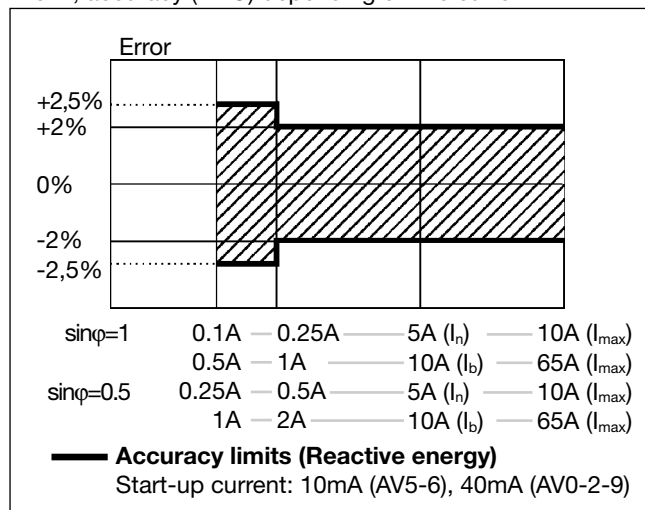
Output	Model	Note
Open collector output	"AV0" and "AV9" models with "O2" option	The meter works even if up to two voltages "phase to neutral" are missing or if one voltage "phase to phase" is missing.
Relay output	"AV0" and "AV9" models with "R2" option	The neutral wire has always to be available. The meter works even if "Phase 3" is missing but, mandatorily, both "phase 1" and "Phase 2" have to be available.
RS485 port	"AV0" and "AV9" models with "XS" and "IS" options	
Dupline port	"AV2" model with "DP" option	
Relay output	"AV2" model with "R2" option	The meter works even if up to two voltages "phase to neutral" are missing or if one voltage "phase to phase" is missing.
RS485 port	"AV2" model with "XS", "IS" options	

Accuracy (According to EN50470-3 and EN62053-23)

kWh, accuracy (RDG) depending on the current



kvarh, accuracy (RDG) depending on the current



MID "Annex MI-003" compliance (option PF only)

Accuracy	$0.9 U_n \leq U \leq 1.1 U_n$; $0.98 f_n \leq f \leq 1.02 f_n$; f_n : 50; $\cos\phi$: 0.5 inductive to 0.8 capacitive. Class B. I st: 0.04A; I min: 0.5A; I tr: 1A; I ref: 10A; I max: 65A. Class B. I st: 0.01A; I min: 0.05A; I tr: 0.25A; I ref: 5A; I max: 10A.	EMC compliance	E2
		Mechanical compliance	M2
AV2-AV9 models		Protection degree	in order to achieve the protection against dust and water required by the norms harmonized to MID, the meter must be used only installed in IP51 (or better) cabinets.
AV5 models			
Operating temperature	-25°C to +55°C (-13°F to 131°F) (R.H. from 0 to 90% non-condensing @ 40°C)		

Used calculation formulas

Phase variables

Instantaneous effective voltage

$$V_{IN} = \sqrt{\frac{1}{n} \cdot \sum_{i=1}^n (V_{IN})_i^2}$$

Instantaneous active power

$$W_1 = \frac{1}{n} \cdot \sum_{i=1}^n (V_{IN})_i \cdot (A_1)_i$$

Instantaneous power factor

$$\cos\phi_1 = \frac{W_1}{VA_1}$$

Instantaneous effective current

$$A_1 = \sqrt{\frac{1}{n} \cdot \sum_{i=1}^n (A_1)_i^2}$$

Instantaneous apparent power

$$VA_1 = V_{IN} \cdot A_1$$

Instantaneous reactive power

$$\text{var}_1 = \sqrt{(VA_1)^2 - (W_1)^2}$$

System variables

Equivalent three-phase voltage

$$V_{\Sigma} = \frac{V_1 + V_2 + V_3}{3} \cdot \sqrt{3}$$

Voltage asymmetry

$$ASY_{LL} = \frac{(V_{LL,max} - V_{LL,min})}{V_{LL,\Sigma}}$$

$$ASY_{LN} = \frac{(V_{LN,max} - V_{LN,min})}{V_{LN,\Sigma}}$$

Three-phase reactive power

$$\text{var}_{\Sigma} = (\text{var}_1 + \text{var}_2 + \text{var}_3)$$

Three-phase active power

$$W_{\Sigma} = W_1 + W_2 + W_3$$

Three-phase apparent power

$$VA_{\Sigma} = \sqrt{W_{\Sigma}^2 + \text{var}_{\Sigma}^2}$$

Three-phase power factor

$$\cos\phi_{\Sigma} = \frac{W_{\Sigma}}{VA_{\Sigma}} \quad (\text{TPF})$$

Energy metering

$$k \text{ var hi} = \int_{t_1}^{t_2} Q_i(t) dt \cong \Delta t \sum_{n1}^{n2} Q_{nj}$$

$$kWh_i = \int_{t_1}^{t_2} P_i(t) dt \cong \Delta t \sum_{n1}^{n2} P_{nj}$$

Where:

i= considered phase (L1, L2 or L3)
P= active power; **Q**= reactive power;
t₁, **t₂**= starting and ending time points of consumption recording; **n**= time unit; **Δt**= time interval between two successive power consumptions;
n₁, **n₂**= starting and ending discrete time points of consumption recording

List of the variables that can be connected to:

- RS485 communication port
- Alarm outputs (“max” variable”, “energies” and “hour counter” excluded)
- Pulse outputs (only “energies”)
- Dupline bus

No	Variable	1-phase system	2-phase system	3-ph. 4-wire balanced sys.	3-ph. 4-wire unbal. sys.	3 ph. 3-wire bal. sys.	3 ph. 3-wire unbal. sys.	Notes
1	V L-N sys	o	x	x	x	x	#	sys=system
2	V L1	x	x	x	x	x	#	
3	V L2	o	x	x	x	x	#	
4	V L3	o	o	x	x	x	#	
5	V L-L sys	o	x	x	x	x	x	sys=system
6	V L1-2	#	x	x	x	x	x	
7	V L2-3	#	o	x	x	x	x	
8	V L3-1	#	o	x	x	x	x	
9	A dmd max	o	x	x	x	x	x	Highest “dmd” current among the phases (1)(2)
10	A L1	x	x	x	x	x	x	
11	A L2	o	x	x	x	x	x	
12	A L3	o	o	x	x	x	x	
13	VA sys	x	x	x	x	x	x	sys=system
14	VA sys dmd	x	x	x	x	x	x	sys=system (1)
15	VA L1	x	x	x	x	x	#	
16	VA L2	o	x	x	x	x	#	
17	VA L3	o	o	x	x	x	#	
18	var sys	x	x	x	x	x	#	sys=system
19	var L1	x	x	x	x	x	#	
20	var L2	o	x	x	x	x	#	
21	var L3	o	o	x	x	x	#	
22	W sys	x	x	x	x	x	x	sys=system
23	W sys dmd	x	x	x	x	x	x	sys=system (1)
24	W L1	x	x	x	x	x	#	
25	W L2	o	x	x	x	x	#	
26	W L3	o	o	x	x	x	#	
27	PF sys	x	x	x	x	x	x	
28	PF L1	x	x	x	x	x	#	
29	PF L2	o	x	x	x	x	#	
30	PF L3	o	o	x	x	x	#	
31	Hz	x	x	x	x	x	x	
32	Phase seq.	o	x	x	x	x	x	
33	Hours	x	x	x	x	x	x	
34	kWh (+)	x	x	x	x	x	x	Total or by user
35	kvarh (+)	x	x	x	x	x	#	Total or by user
36	kWh (+)	x	x	x	x	x	x	Partial or by tariff
37	kvarh (+)	x	x	x	x	x	#	Partial or by tariff
38	kWh (-)	x	x	x	x	x	x	Total
39	kvarh (-)	x	x	x	x	x	#	Total
40	m ³ Gas	x	x	x	x	x	x	Total
41	m ³ Cold H ₂ O	x	x	x	x	x	x	Total
42	m ³ Hot H ₂ O	x	x	x	x	x	x	Total
43	kWh H ₂ O	x	x	x	x	x	x	Total

(x) = available

(o) = not available (zero indication on the display)

(#) = not available (the relevant page is not displayed)

(1) = max. value with data storage

(2) = not available with the “DP” option

Display pages

Sel. pos.	No	1st variable (1st line)	2nd variable (2nd line)	3rd variable (3rd line)	Note	Applications							
						A	B	C	D	E	F	G	H
	1	Phase seq.	VLN sys	Hz		7	7	7		7	7	7	7
	2	Phase seq.	VLL sys	Hz							x	x	x
	3	Total kWh (+)	W sys dmd	W sys dmd max		x	x	x		x	x	x	x
	4	kWh (+)	A dmd max	(text) "PArT"	"PArT" = Partial kWh (+)						x	x	x
	5	Total kvarh (+)	VA sys dmd	VA sys dmd max			7	7			7	7	7
	6	kvarh (+)	VA sys	(text) "PArT"	"PArT" = Partial kvarh (+)						7	7	7
	7	Totalizer 1 (2)	W sys	(text) (3)	(1)			x			x	x	x
	8	Totalizer 2 (2)	W sys	(text) (3)	(1)			x			x	x	x
	9	Totalizer 3 (2)	W sys	(text) (3)	(1)			x			x	x	x
	10	kWh (+)	t1 tariff (4)	W sys dmd	(1) digital input enabled			x			x	x	x
	11	kWh (+)	t2 tariff (4)	W sys dmd	(1) digital input enabled			x			x	x	x
	12	kWh (+)	t3 tariff (4)	W sys dmd	(1) digital input enabled			5			5	5	5
	13	kWh (+)	t4 tariff (4)	W sys dmd	(1) digital input enabled			5			5	5	5
	14	kvarh (+)	t1 tariff (4)	W sys dmd	(1) digital input enabled			7			7	7	7
	15	kvarh (+)	t2 tariff (4)	W sys dmd	(1) digital input enabled			7			7	7	7
	16	kvarh (+)	t3 tariff (4)	W sys dmd	(1) digital input enabled			5,7			5,7	5,7	5,7
	17	kvarh (+)	t4 tariff (4)	W sys dmd	(1) digital input enabled			5,7			5,7	5,7	5,7
	18	kWh (+) X	W X	User X	(1) specific function enabled				x				
	19	kWh (+) Y	W Y	User Y	(1) specific function enabled				x				
	20	kWh (+) Z	W Z	User Z	(1) specific function enabled				x				
	21	Total kvarh (-)	VA sys dmd	VA sys dmd max							7		7
	22	Total kWh (-)	W sys dmd	W sys dmd max						x	x		x
	23	Hours	W sys	PF sys						x	x	x	x
	24	Hours	var sys	PF sys						7	7	7	7
	25	var L1	var L2	var L3								7	7
	26	VA L1	VA L2	VA L3								7	7
	27	PF L1	PF L2	PF L3								7	7
	28	W L1	W L2	W L3						7		7	7
	29	A L1	A L2	A L3						x		x	x
	30	V L1-2	V L2-3	V L3-1								6	6
	31	V L1	V L2	V L3								7	7
0	Selector position which can be linked to any of the variable combinations listed above (No. from 1 to 31)												
1	Selector position which can be linked to any of the variable combinations listed above (No. from 1 to 31)												
2	Selector position which can be linked to any of the variable combinations listed above (No. from 1 to 31)												
3	Selector position which can be linked to any of the variable combinations listed above (No. from 1 to 31) In this position the front LED blinks proportionally to the reactive energy (kvarh) being measured												

- (1) The page is available according to the enabled measurement.
(2) m³ Gas, m³ Water, kWh remote heating.
(3) Hot and Cold (water), GAS.
(4) The active tariff is displayed with an "A" before the "t1-t2-t3-t4" symbols.
(5) These pages are not available in case of Dupline system.
(6) Pages not available in case of 1-phase system (1P selection).
(7) Pages not available in case of 3-phase unbalanced system (3P selection).

Note: in case of alarm the whole display blinks. The blinking stops when either the selector or the joystick are used. The display starts to blink again after 60 seconds of the last command being used. There is a time-out of 60s that brings the scrolled page to the default one (selectable according to the table given above).

Additional available information on the display

Type	1st line	2nd line	3rd line
Meter information	Firmware revision	YEA _r (text)	Year of production
Meter information	PuLSE (text)	LE _d (text)	Numb. of kWh per pulse
Meter information	System (1-2-3-phase)	Connection (2-3-4-wire)	dmd (time)
Meter information	VT/PT ratio		
Meter information (AV5-6)	Ct rAtio (text)	1.0 ... 60.0k	
Meter information (AV5-6)	UT rAtio (text)	1.0 ...6.0k	
In case of communication port	SEriAL (text)	Address number	RS485 status (RX-TX)
In case of Dupline port	Dupline (text) or EM24 (text)	OK ... err	

List of selectable applications

	Description	Notes
A	Basic domestic	Mainly energy metering
B	Shopping centres	Mainly energy metering
C	Advanced domestic	Mainly energy metering (total and based on tariff), gas and water metering
D	Multi domestic (also camping and marinas)	Mainly energy metering (3 by single phase)
E	Solar	Energy meter with some basic power analyzer functions
F	Industrial	Mainly energy metering
G	Advanced industrial	Energy metering and power analysis
H	Advanced industrial for power generation	Complete energy metering and power analysis

Insulation between inputs and outputs

	Measuring Inputs	Relay outputs	Open collector outputs	Comm. port and digital inputs	Dupline	Self power supply	Auxiliary power supply
Measuring Inputs	-	4kV	4kV	4kV	4kV	0kV	4kV
Relay outputs	4kV	-	-	-	-	4kV	4kV
Open collector outputs	4kV	-	-	-	-	4kV	4kV
Comm. port and digital inputs	4kV	-	-	-	-	4kV	4kV
Dupline	4kV	-	-	-	-	4kV	4kV
Self power supply	0kV	4kV	4kV	4kV	4kV	-	-
Aux. power supply	4kV	4kV	4kV	4kV	4kV	-	-

NOTE: all the models with auxiliary power supply have, mandatorily, to be connected to external current transformers because the isolation among the current inputs is just functional (100VAC).

Tamper proof accessory kit



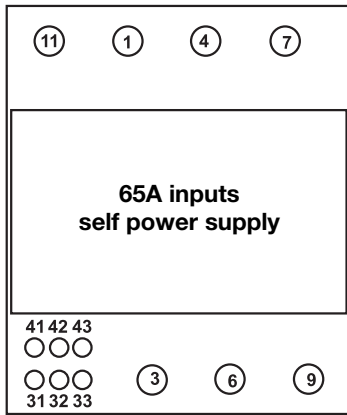
The "tamper proof" kit is available with the "P" option (two screw protection covers).

The instrument can be sealed in three points:

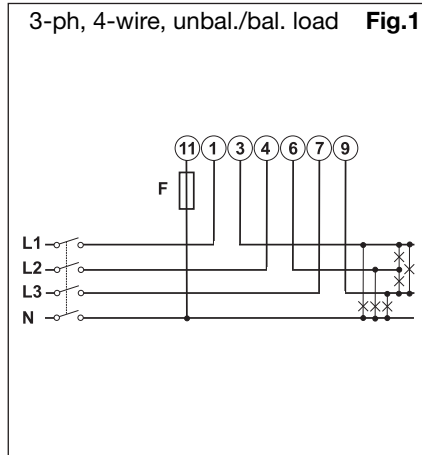
- Upper cover;
- Lower cover;
- Front selector (to lock the instrument programming);



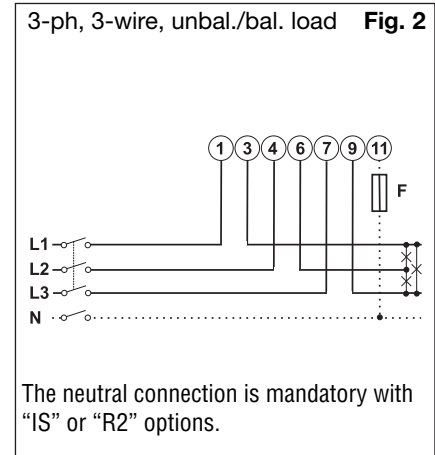
Wiring diagrams



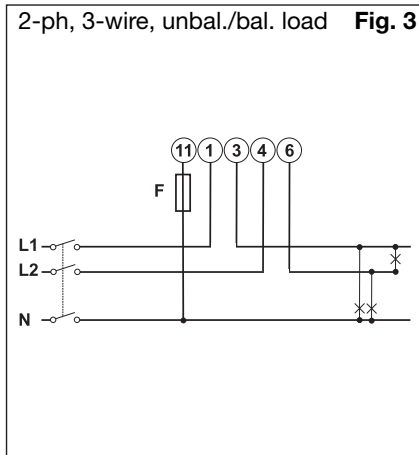
(65A) System type selection: 3P.n



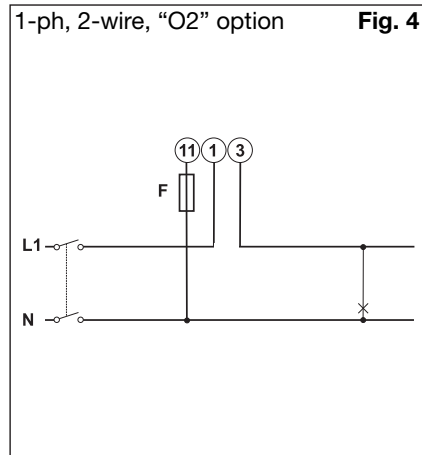
(65A) System type selection: 3P



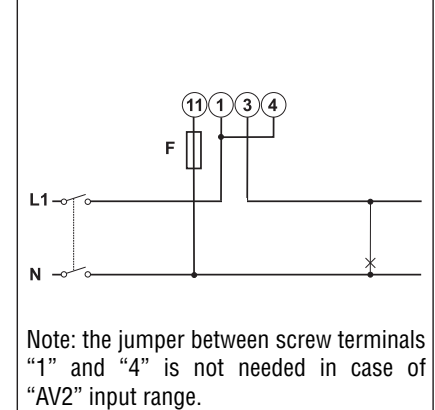
(65A) System type selection: 2P



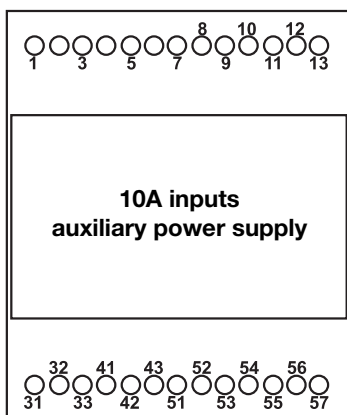
(65A) System type selection: 1P



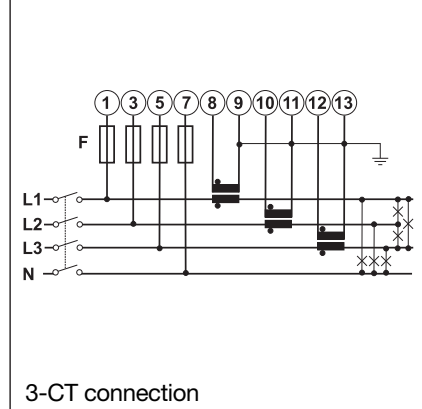
1-ph, 2-wire, "IS" and "R2" option Fig. 5



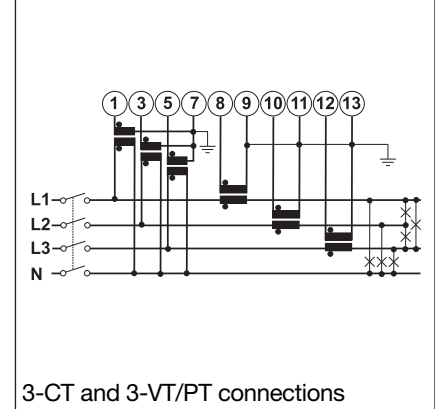
(10A) System type selection: 3P.n



3-ph, 4-wire, unbalanced load **Fig. 6**

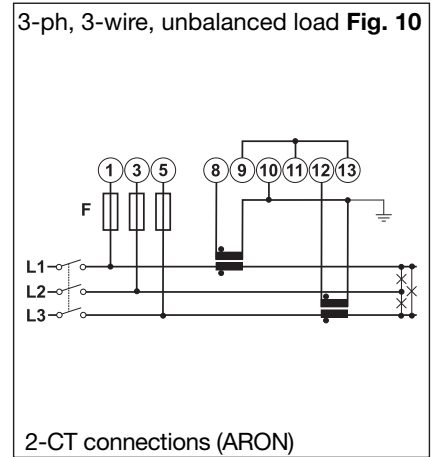
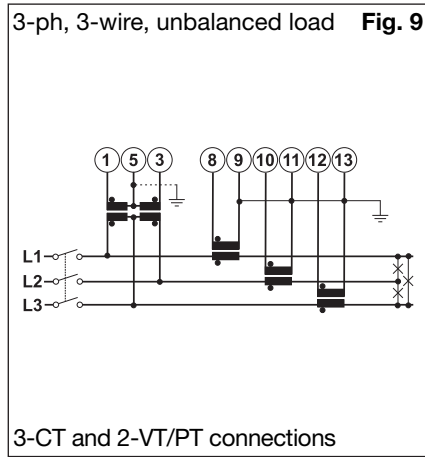
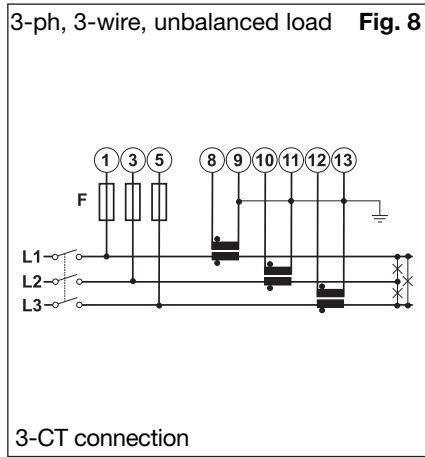


3-ph, 4-wire, unbalanced load **Fig. 7**

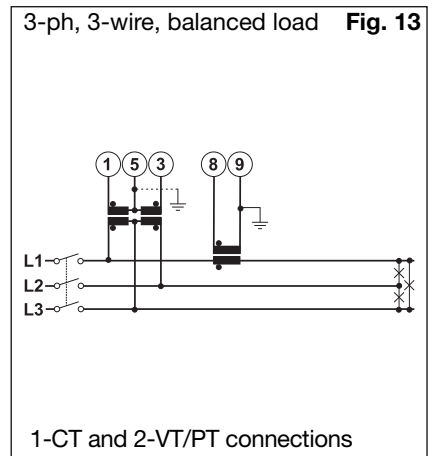
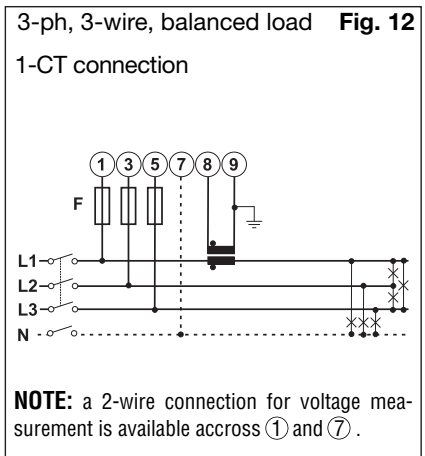
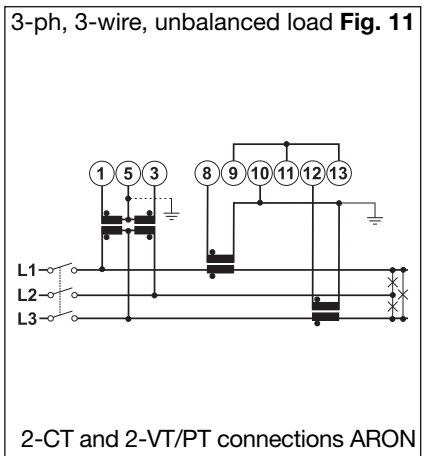


Wiring diagrams

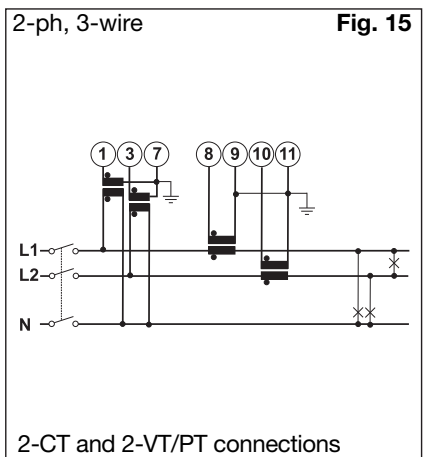
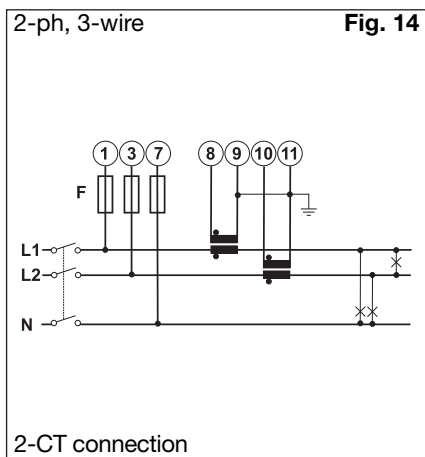
(10A) System type selection: 3P.n



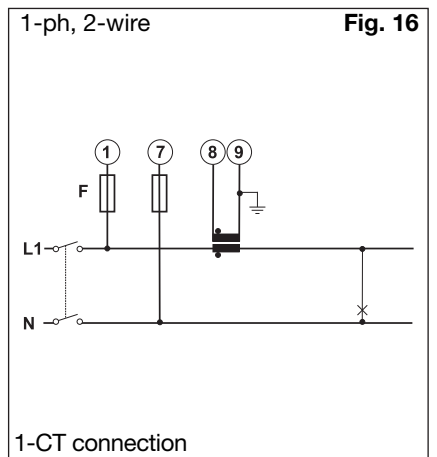
(10A) System type selection: 3P.1



(10A) System type selection: 2P

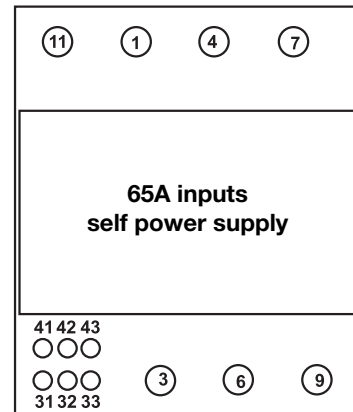
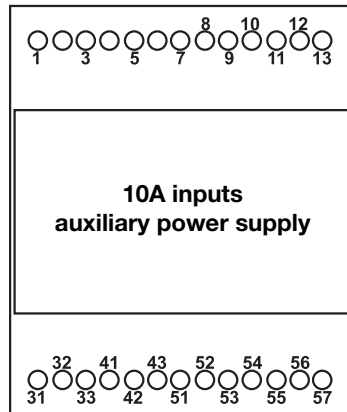
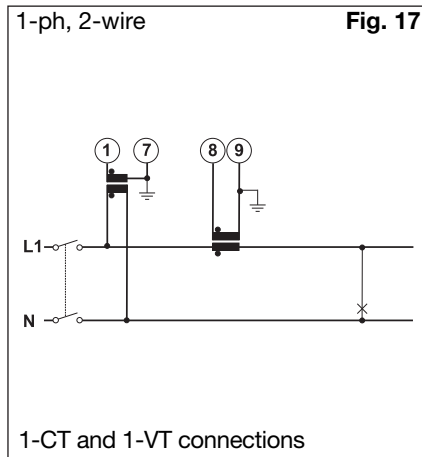


(10A) System type selection: 1P

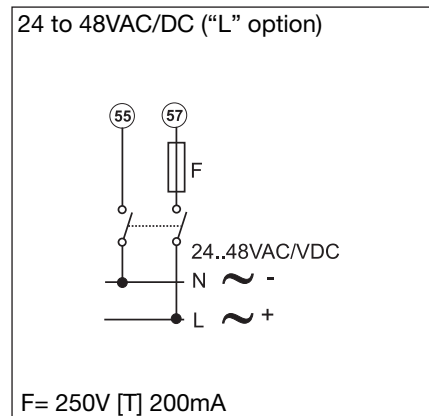
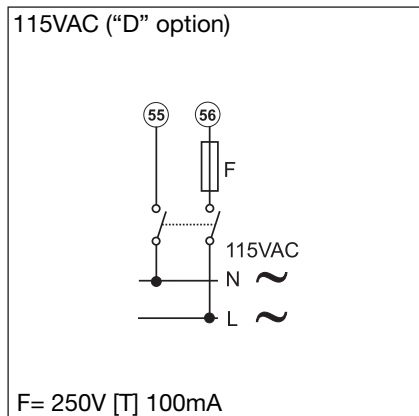
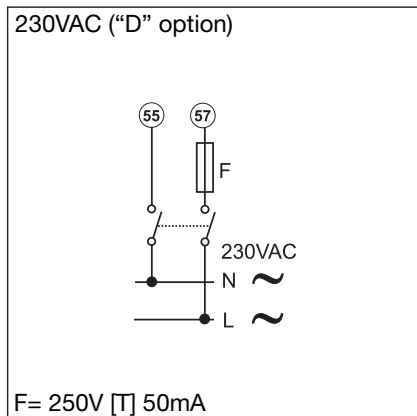


Wiring diagrams

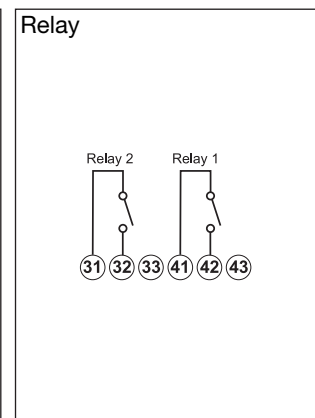
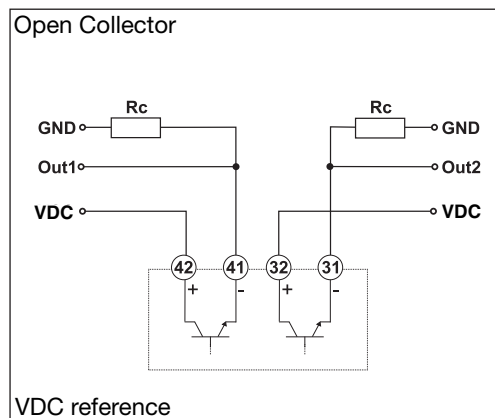
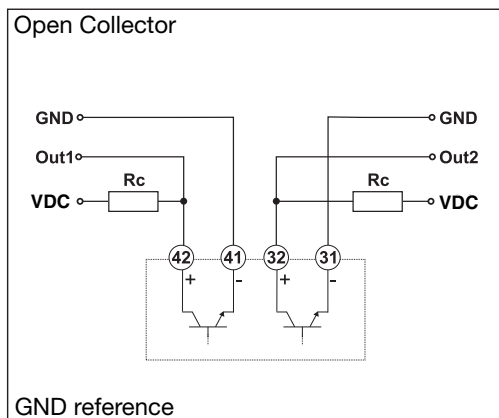
(10A) System type selection: 1P



Power supply wiring diagrams (auxiliary power supply)

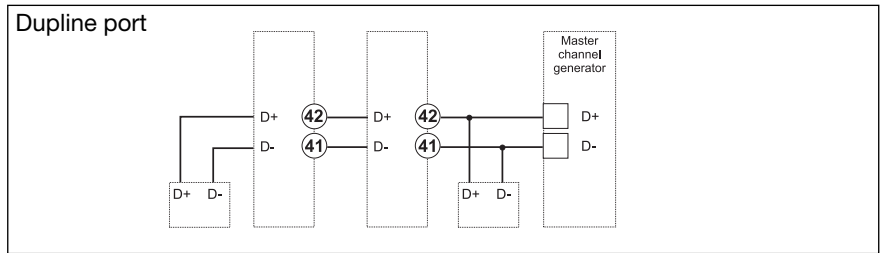
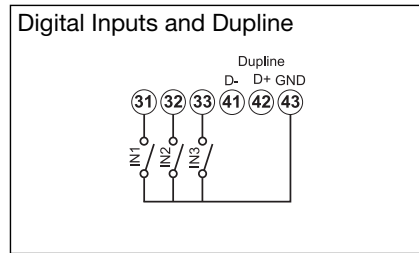
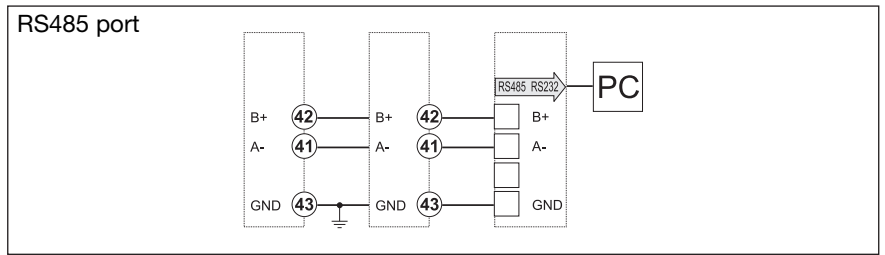
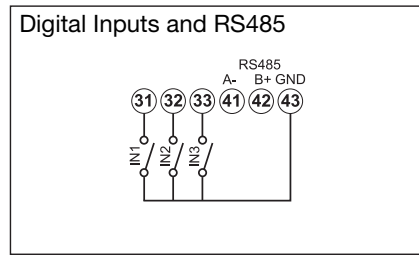


Open collector and relay outputs wiring diagrams

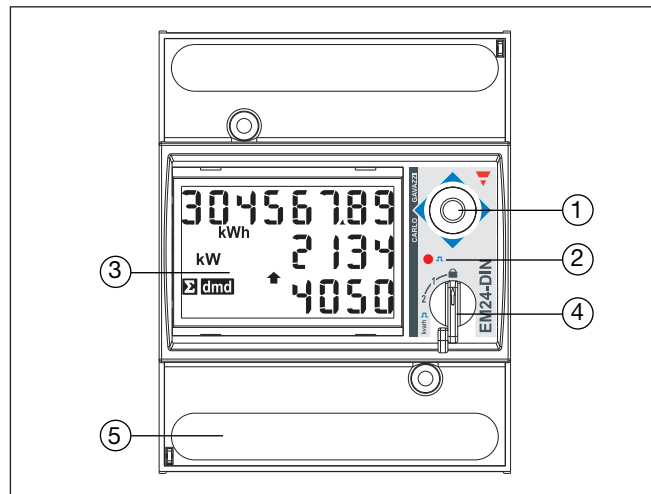


The load resistances (RC) must be designed so that the close contact current is lower than 100mA; the VDC voltage must be lower than or equal to 30VDC.

Digital inputs, RS485 and Dupline ports wiring diagrams



Front panel description



1. **Joystick**
To program the configuration parameters and scroll the variables on the display.
2. **LED**
Red LED blinking proportional to the energy being measured.
3. **Display**
LCD-type with alphanumeric indications to:
- display configuration parameters;
- display all the measured variables.
4. **Selector**
To select the desired display pages and to lock the programming.
5. **Connections**
Screw terminal blocks for instrument wiring.

Dimensions

